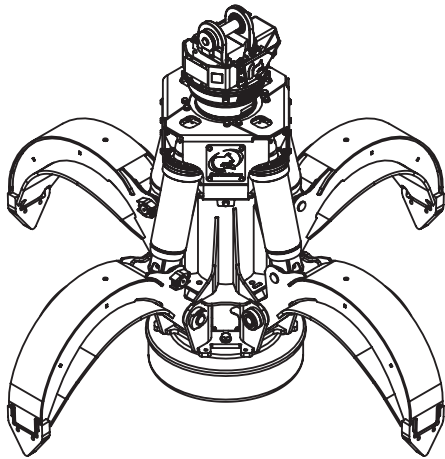


Orange Peel
OPM4S100 RT-502E02 M30

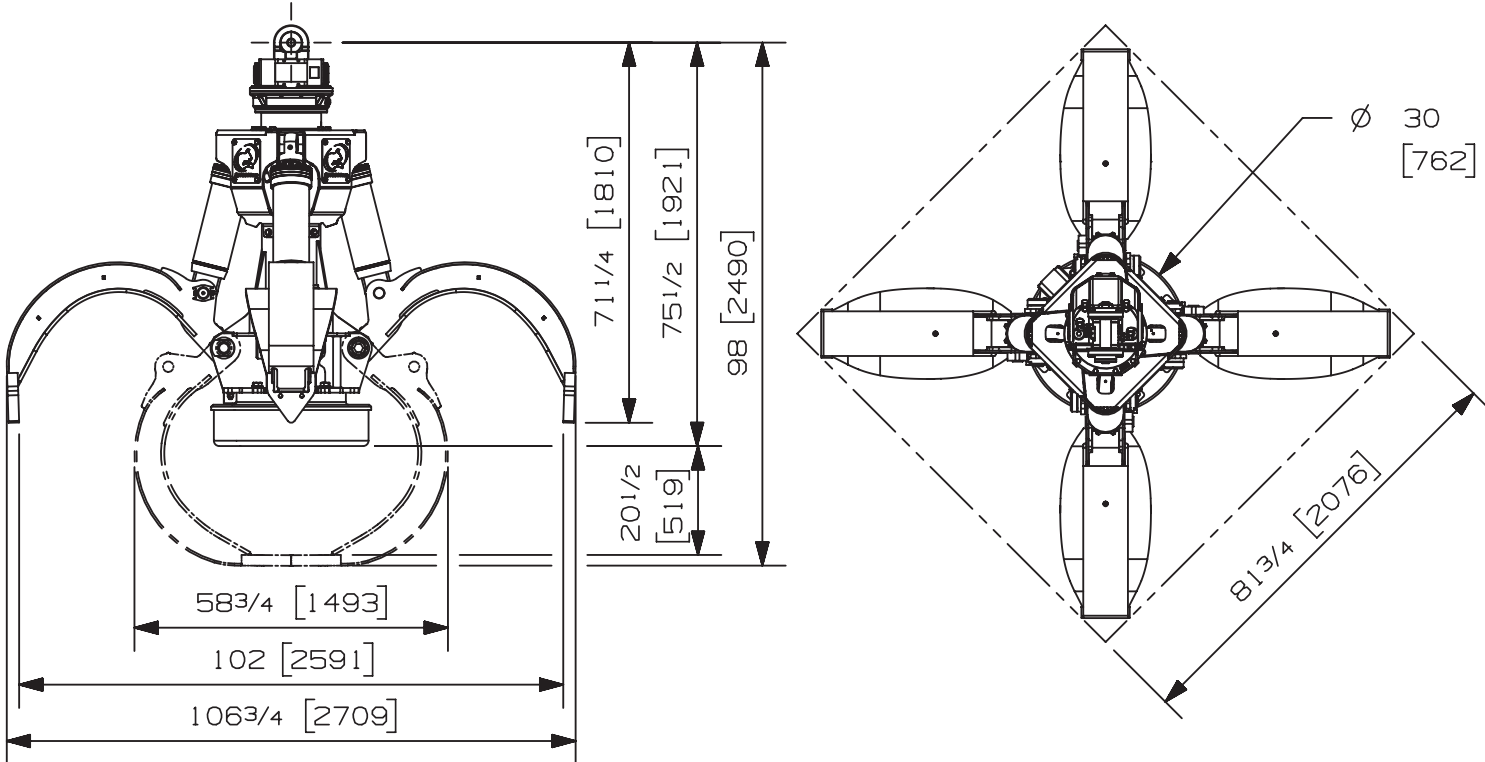


Max load:	n/a lb	n/a kg
Volume:	1.00 y ³	.76 m ³
Area tip to tip:	n/a ft ²	n/a m ²
Rotator lifting capacity:	50000 lb	22680 kg
Torque at relief pressure:	18630 lb-in 1450 psi	2105 Nm 100 bars
Weight:	4595 lb	2084 kg

Rotator	Maximum pressure: 5000 psi 345 bars	Recommended flow: 9 gpm 34 l/min
Rotator recommended flow will produce a maximum speed of 25 rpm		

Cylinder	Diameter	Recommended pressure	Pressure range	Flow range	Lock valves
Standard	3 " (76 mm)	4300 psi (296 bars)	3600-5000 psi (248-345 bars)	26-37 gpm (98-140 l/min.)	no

Grapple cylinder maximum flow will theoretically produce a complete grapple open/close cycle in 5 seconds.



Options:

-
-
-
-

web site: www.rotobec.com

email: rotobec@rotobec.com

Rotobec Inc.: Head office serving OEM's and Eastern Canada

Ph: (418) 383-3002 Fax: (418) 383-5334

Rotobec West: Branch serving Western Canada and Western USA

Ph: (250) 765-1161 Fax: (250) 765-0035

Rotobec USA: Branch serving Eastern and Central USA

Ph: (603) 444-2103 Fax: (603) 444-0327