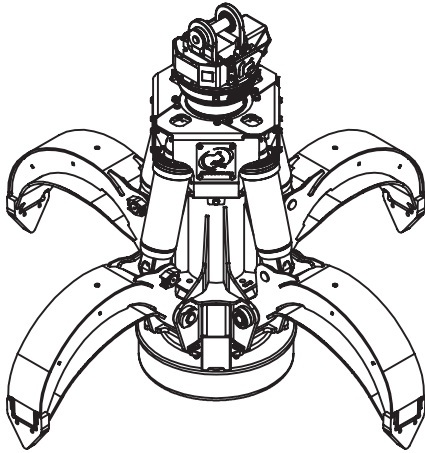


Orange Peel  
**OPM4S075 RT-502E02 M30**

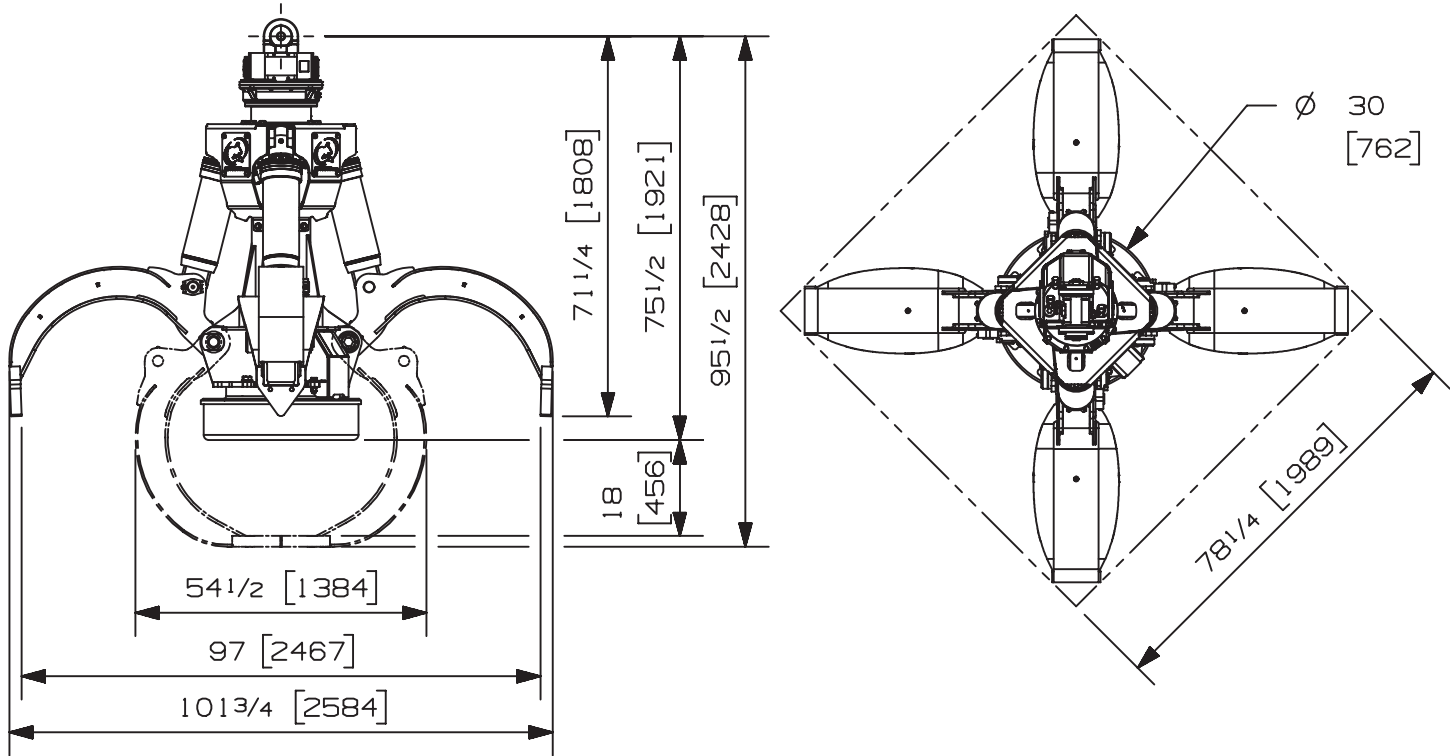


<b>Max load:</b>	n/a lb	n/a kg
<b>Volume:</b>	.75 y <sup>3</sup>	.57 m <sup>3</sup>
<b>Area tip to tip:</b>	n/a ft <sup>2</sup>	n/a m <sup>2</sup>
<b>Rotator lifting capacity:</b>	50000 lb	22680 kg
<b>Torque at relief pressure:</b>	18630 lb-in	2105 Nm
	1450 psi	100 bars
<b>Weight:</b>	4460 lb	2023 kg

<b>Rotator</b>	<b>Maximum pressure:</b> 5000 psi    345 bars	<b>Recommended flow:</b> 9 gpm    34 l/min
Rotator recommended flow will produce a maximum speed of 25 rpm		

Cylinder	Diameter	Recommended pressure	Pressure range	Flow range	Lock valves
Standard	3 " (76 mm)	4300 psi (296 bars)	3600-5000 psi (248-345 bars)	26-37 gpm (98-140 l/min.)	no

Grapple cylinder maximum flow will theoretically produce a complete grapple open/close cycle in 5 seconds.



Options:

- 
- 
- 
- 

web site: [www.rotobec.com](http://www.rotobec.com)

email: [rotobec@rotobec.com](mailto:rotobec@rotobec.com)

**Rotobec Inc.:** Head office serving OEM's and Eastern Canada

Ph: (418) 383-3002 Fax: (418) 383-5334

**Rotobec West:** Branch serving Western Canada and Western USA

Ph: (250) 765-1161 Fax: (250) 765-0035

**Rotobec USA:** Branch serving Eastern and Central USA

Ph: (603) 444-2103 Fax: (603) 444-0327